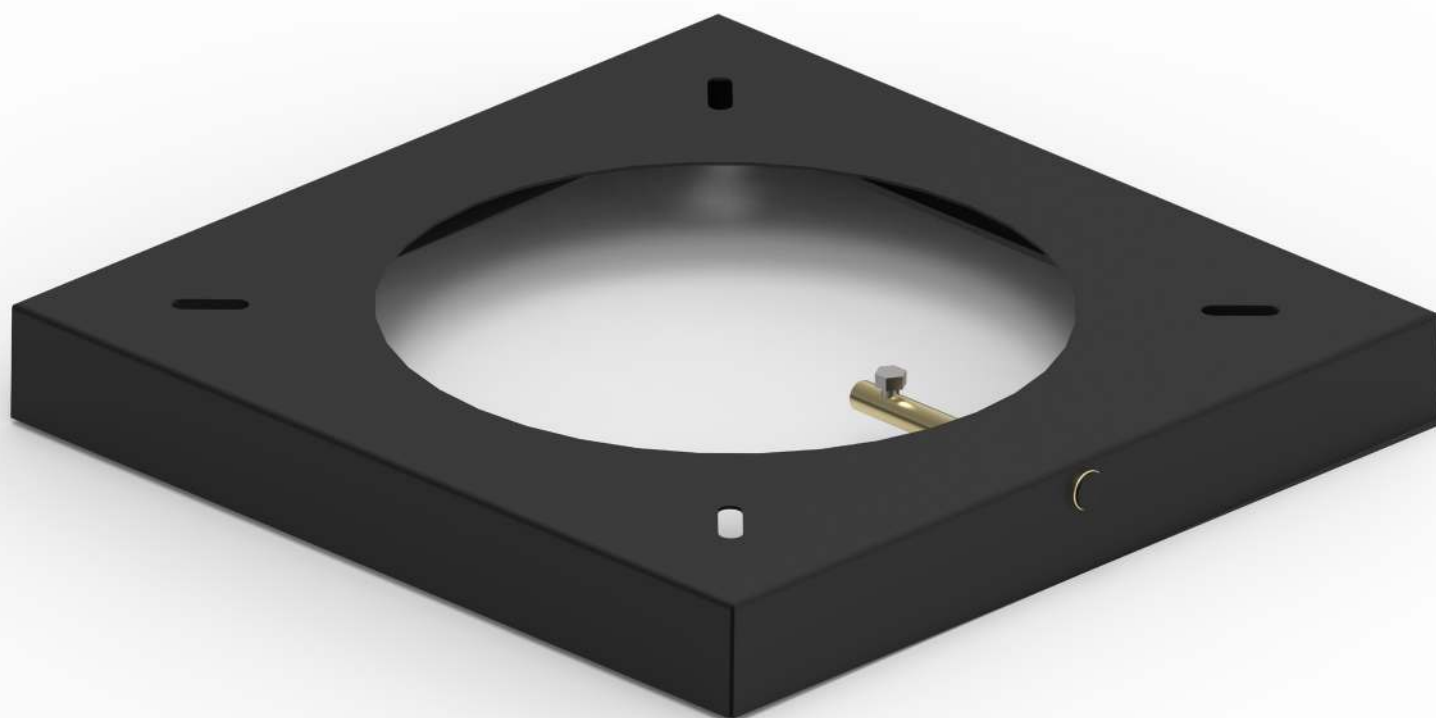


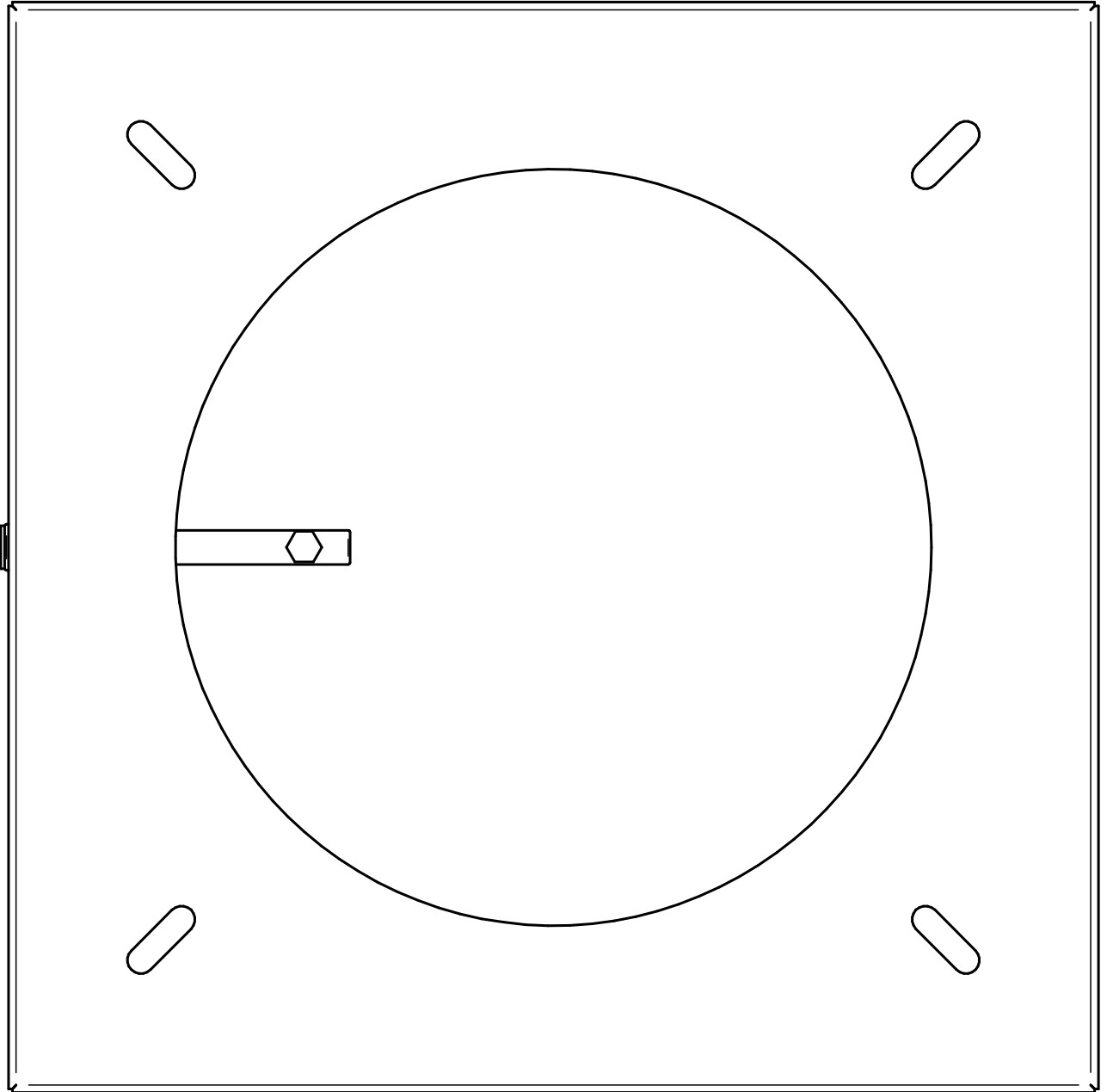
Accessory

# AFD



UK | Read and save these instructions!

**exodraft**  
Your energy. Optimized.



**Accessory | AFD****Content**

---

<b>Product information</b>	<b>7</b>
Scope of supply	7
Warranty	7
Technical data	8
<b>Installation onto a steel chimney</b>	<b>9</b>
Installation - RS/RSHG model	9
Installation - RSV/RSVG model	11
Installation - RSHT model	13
<b>Installation onto a brick chimney</b>	<b>15</b>
Installation - RS/RSHG model	15
Installation - RSV/RSVG model	17
Installation - RSHT model	19
<b>UK Conformity Assessed</b>	<b>21</b>
<b>Declaration of Conformity</b>	<b>22</b>



## How to use this manual

*This manual has been prepared based on the specific product and contains relevant technical information and installations guides.*

*Accessories and spare parts are not covered by this manual. Please refer to the individual manuals of these components.*

*This installation manual does not contain any system design documentation.*

*Failure to observe instructions marked with a danger symbol may result in personal injury and/or damage to the product.*

Errors and omissions excepted.



## Disposal

Electrical and electronic equipment (EEE) often contain materials, components and substances that may harm the environment or be hazardous to your health. Products (WEEE) marked with the 'crossed-out wheeled bin' symbol should be disposed of separately from other waste at the end of its life. Though legislation may differ from country to country we strongly advise that electrical and electronic waste is separated from other waste and disposed of according to national legislation to protect the environment and personnel that may come into contact with waste.

# Symbols

The following symbols may be used in the manual to draw attention to danger or risk of personal injury or damage to the product.



## General prohibition

Failure to observe instructions marked with the prohibited symbol may result in extreme danger or serious personal injury.



## General attention

Marks a dangerous situation that, in the worst-case scenario, can cause serious personal injury or significant damage to the product.



## General warning

Failure to observe instructions marked with a danger symbol may result in personal injury and/or damage to the product.



## Electricity hazard/High Voltage

Marks a situation in which caution is advised due to the risk of high voltage electric shock which can cause serious personal injury or significant damage to the product.



## Connect an earth terminal to the ground

Failure to observe instructions marked with a danger symbol may result in personal injury and/or damage to the product.



## Permitted and approved

Permitted and approved method of installation.



## Prohibited and not approved

Prohibited and not approved method of installation.



## **Warning**

**To minimise the risk of fire, electric shock, personal injury and/or damage to the product please observe the following:**

- Please read the manual before you start using the product and only use the product in accordance with the manufacturer's instructions. If in doubt, contact one of our specialized dealers.
- All installations must be carried out by properly qualified personnel and in accordance with national legislation and regulations.
- In order to avoid chimney fires, ensure that the chimney has been swept before mounting the fan.
- Prior to servicing the product, disconnect the power and ensure that it cannot accidentally be reconnected.
- Exodraft always recommends the use of a smoke alarm when a solid fuel fireplace is installed.

## Product information

The Exodraft cover plate system has been developed to cover the soundproofing rockwool mat under the chimney fan for a more aesthetically pleasing look while protecting it from weather influences and animals. The cover plate can be used for both mounting on a steel chimney and a brick chimney. The cover also has a built-in sensor pocket, which makes it easy to install a temperature sensor, if you have an Exodraft control unit with temperature monitoring. If this function is not used, there is a plug in the sensor pocket which protects against wind and weather.

The cover plates are made from galvanised steel, making them very robust and weatherproof. They are painted in chimney fan paint for an overall cohesive look.

Incorrect firing may result in problems with soot, chimney fires, etc. which might damage the product. Please check out this site for advice about lighting and maintaining a fire:

**[www.exodraft.com](http://www.exodraft.com)**

## Scope of supply

- 1 pcs. AFD (cover plate)
- 1 pcs. M5 hexagon screw
- 1 pcs. Plastic plug
- 1 pcs. Sensor pocket
- 1 pcs. M10 nut
- Installation manual and user instructions

## Warranty

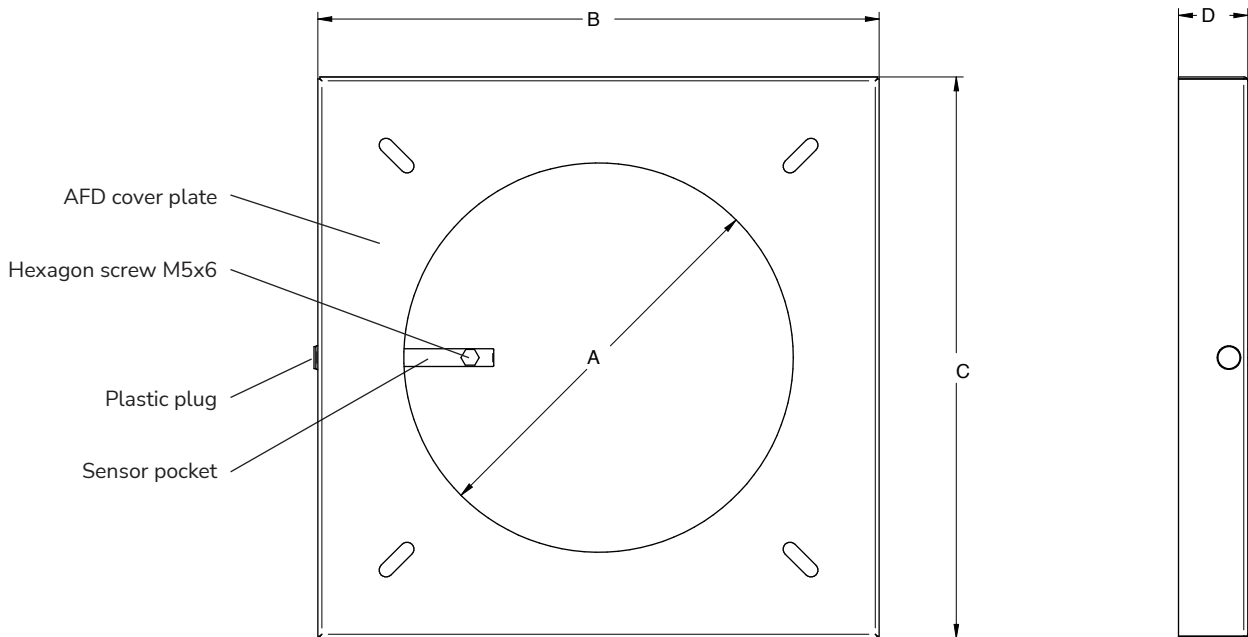
All Exodraft products are covered by a 2-year guarantee as per European consumer rights legislation. For some countries an extended period of guarantee may apply depending on either national legislation or other clearly stipulated conditions. Customer complaints must be handled by a specialised dealer or wholesaler (preferably where the Exodraft product has been bought originally). An updated list of Exodraft specialised dealers can be found on our website for the country in question.

Exodraft products must always be installed by properly qualified personnel. Exodraft reserves the right to change these guidelines without prior notice.

The warranty and liability does not cover instances regarding personal injury or damage to property or the product that can be ascribed to one or more of the following causes:

- Failure to follow this installation and operation manual
- Incorrect installation, start-up, maintenance or servicing
- Improper repairs
- Unauthorised structural modifications made to the product
- Installation of additional components that have not been tested/approved with the product
- Any damage resulting from continued use of the product despite an evident defect
- Failure to use original spareparts and accessories
- Failure to use the product as intended
- Exceeding or failure to meet the limit values in the technical data
- Force majeure

## Technical data



Model*	Chimney type	Dimension [mm]			
		A [Ø]	B	C	D
FR1AFD6	Steel chimney	197	284	284	35
FR1AFD6-001	Brick chimney	197	284	284	24
FR2AFD6	Steel chimney	247	322	322	35
FR2AFD6-001	Brick chimney	247	322	322	24
FR3AFD6	Steel chimney	347	407	407	35
FR3AFD6-001	Brick chimney	347	407	407	24
FR4AFD6	Steel chimney	402	512	512	35
FR4AFD6-001	Brick chimney	402	512	512	24

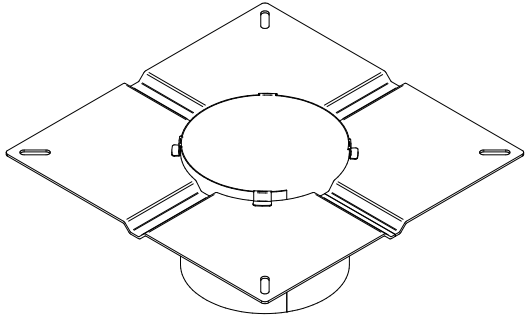
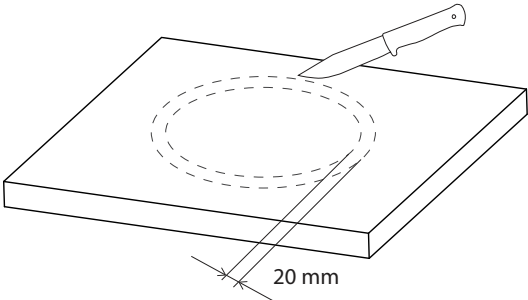
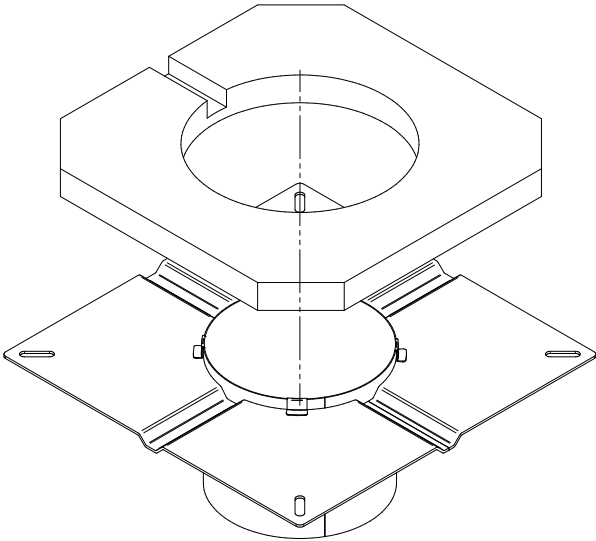
\*For more details and informations about size and models, see [www.exodraft.co.uk/product/accessories/additional-mounting-accessories](http://www.exodraft.co.uk/product/accessories/additional-mounting-accessories)



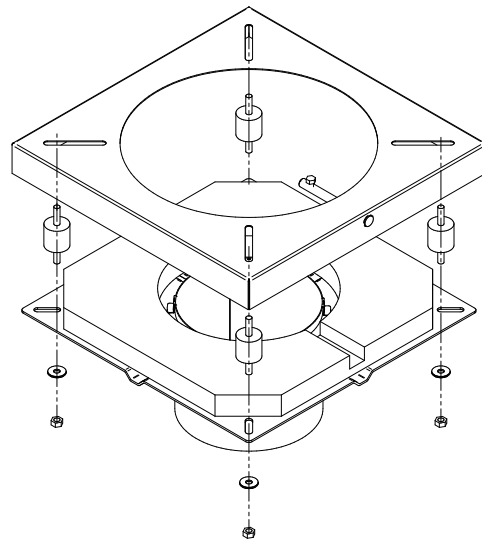
## Installation onto a steel chimney

The installation is different for the different chimney fans with the cover plates. See the guides below for each type.

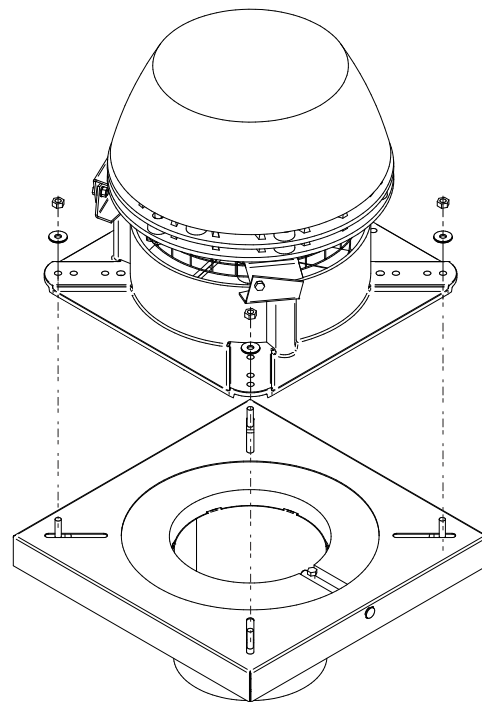
### Installation - RS/RSHG model

Step	Action	Illustration
1	<p>The flange must be placed so that the spigot goes into the chimney!</p> <p>Measure the diameter of the hole in the flange.</p>	
2	<p>Then cut a hole in the mineral wool mat that matches.</p> <p>Note that there must always be a minimum of 20 mm of mat surface at any point around the circumference of the hole.</p>	
3	<p>Cut the corners off the mineral wool mat, so there is room to fit the vibration dampers.</p> <p>If a temperature sensor is to be installed with the chimney fan, cut a groove in the mineral wool mat that is big enough for the sensor.</p> <p>Now place the mineral wool mat on the flange (between the flange and the fan).</p>	

- 
- 4 Fixate the flange to the cover plate with the use of the vibration dampers supplied with the flange.

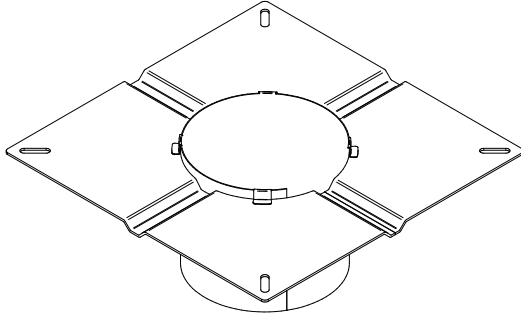
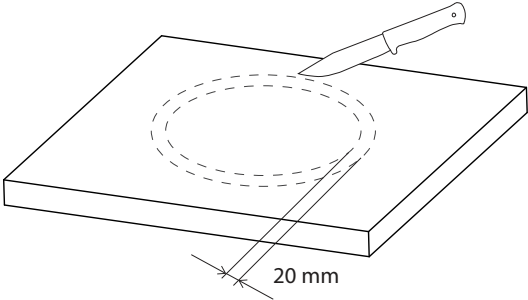
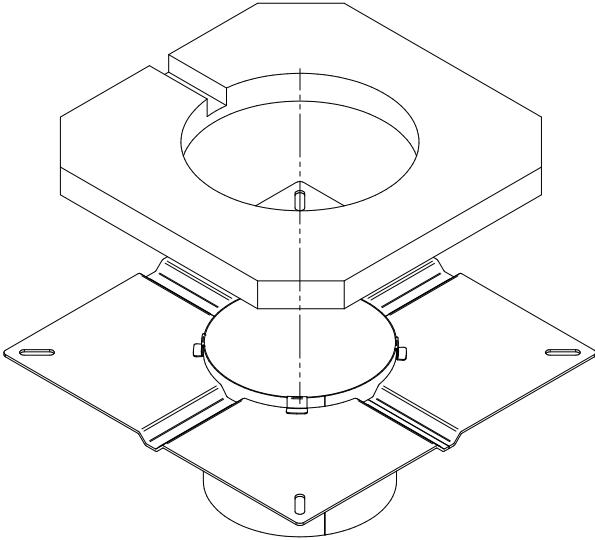


- 
- 4 Fixate the flange and cover plate assembly to the chimney fan.

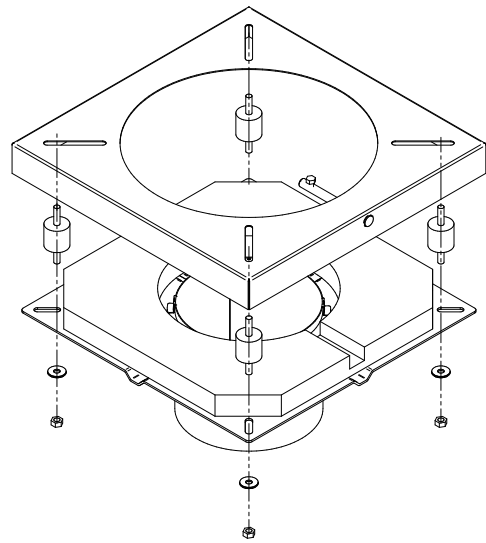


- 
- 5 Now the chimney fan with the cover plate and flange can be install on the steel chimney.  
5 Follow the rest of the guide "Installation onto a steel chimney", by looking in the RS/RSHG manual/instruction guide for the specific model.
-

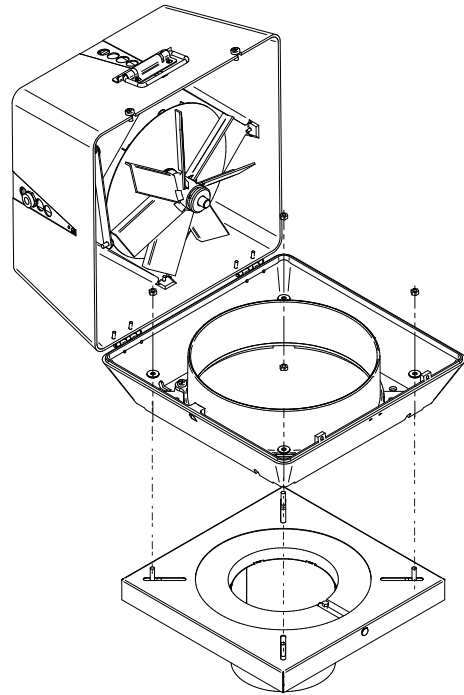
## Installation - RSV/RSVG model

Step	Action	Illustration
1	<p>The flange must be placed so that the spigot goes into the chimney!</p> <p>Measure the diameter of the hole in the flange.</p>	
2	<p>Then cut a hole in the mineral wool mat that matches.</p> <p>Note that there must always be a minimum of 20 mm of mat surface at any point around the circumference of the hole.</p>	
3	<p>Cut the corners off the mineral wool mat, so there is room to fit the vibration dampers.</p> <p>If a temperature sensor is to be installed with the chimney fan, cut a groove in the mineral wool mat that is big enough for the sensor.</p> <p>Now place the mineral wool mat on the flange (between the flange and the fan).</p>	

- 
- 4 Fixate the flange to the cover plate with the use of the vibration dampers supplied with the flange.

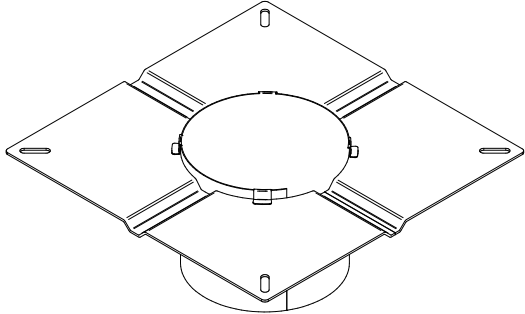
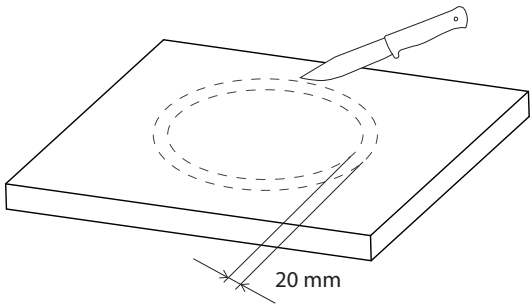
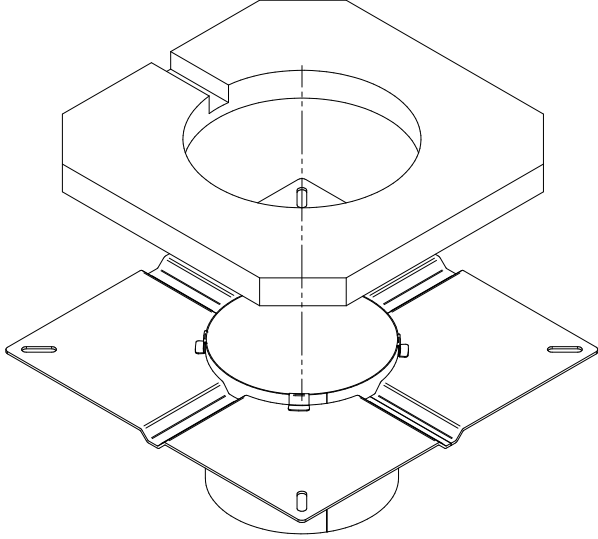


- 
- 4 Fixate the flange and cover plate assembly to the chimney fan.

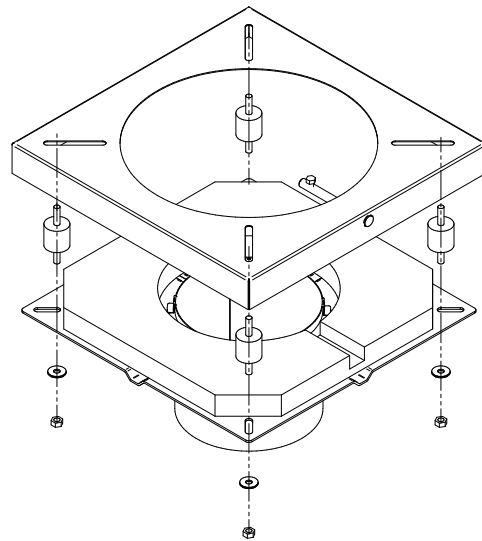


- 
- Now the chimney fan with the cover plate and flange can be install on the steel chimney.
- 5 Follow the rest of the guide "Installation onto a steel chimney", by looking in the RSV/RSVG manual/instruction guide for the specific model.
-

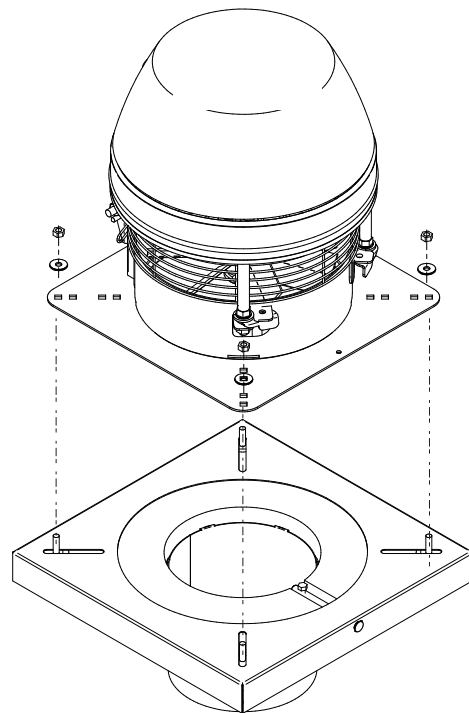
## Installation - RSHT model

Step	Action	Illustration
1	<p>The flange must be placed so that the spigot goes into the chimney!</p> <p>Measure the diameter of the hole in the flange.</p>	
2	<p>Then cut a hole in the mineral wool mat that matches.</p> <p>Note that there must always be a minimum of 20 mm of mat surface at any point around the circumference of the hole.</p>	
3	<p>Cut the corners off the mineral wool mat, so there is room to fit the vibration dampers.</p> <p>If a temperature sensor is to be installed with the chimney fan, cut a groove in the mineral wool mat that is big enough for the sensor.</p> <p>Now place the mineral wool mat on the flange (between the flange and the fan).</p>	

- 
- 4 Fixate the flange to the cover plate with the use of the vibration dampers supplied with the flange.



- 
- 4 Fixate the flange and cover plate assembly to the chimney fan.

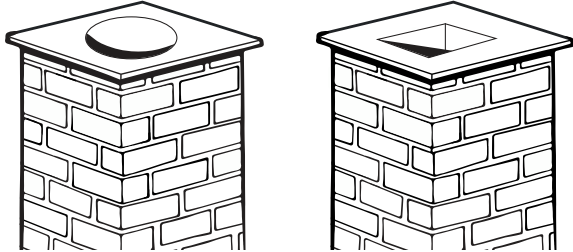
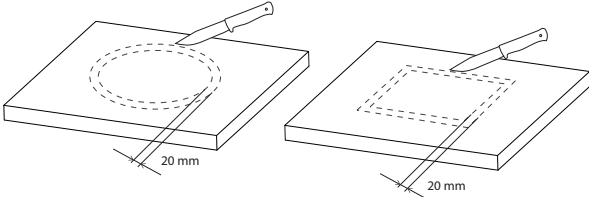
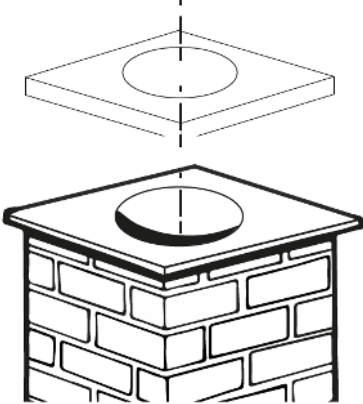


- 
- 5 Now the chimney fan with the cover plate and flange can be install on the steel chimney.  
5 Follow the rest of the guide "Installation onto a steel chimney", by looking in the RSHT manual/instruction guide for the specific model.
-

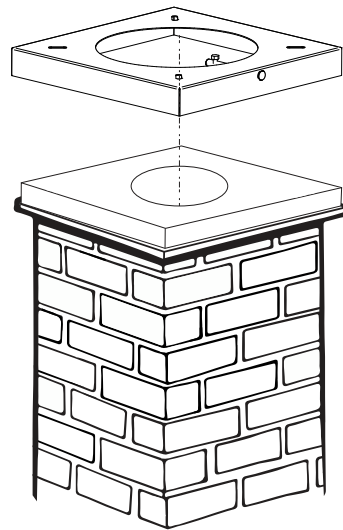
# Installation onto a brick chimney

The installation is different for the different chimney fans with the cover plates. See the guides below for each type.

## Installation - RS/RSHG model

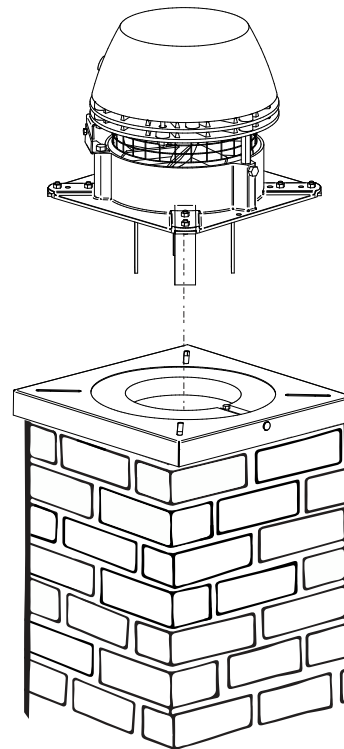
Step	Action	Illustration
1	Measure the inside diameter of the brick chimney.	
2	<p>Then cut a hole in the mineral wool mat that matches.</p> <p>Note that there must always be a minimum of 20 mm of mat surface at any point around the circumference of the hole.</p>	
3	<p>If a temperature sensor is to be installed with the chimney fan, cut a groove in the mineral wool mat that is big enough for the sensor.</p> <p>Place the mineral wool mat on the chimney.</p>	

- 4 Place the cover plate on the mineral wool mat.



- 5 Follow the rest of the guide "Installation onto a brick chimney", by looking in the RS/RSHG manual/instruction guide for the specific model.

Now the chimney fan with the location brackets can be install on the brick chimney.

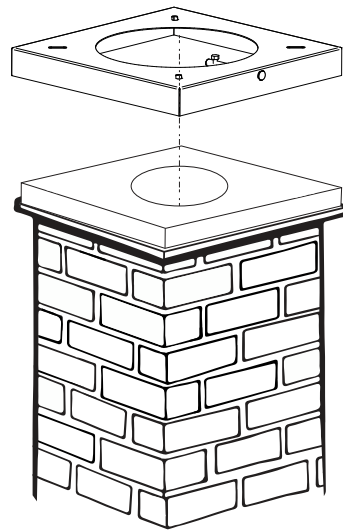




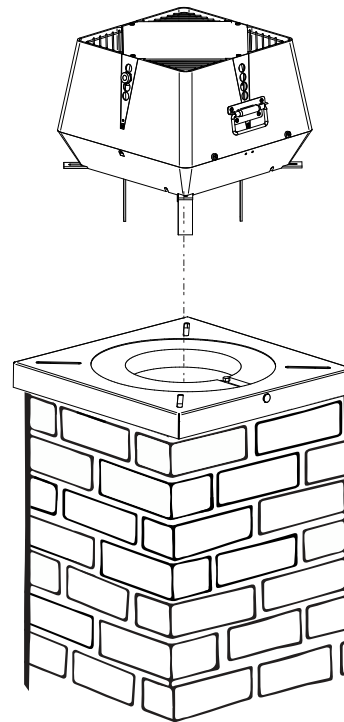
## Installation - RSV/RSVG model

Step	Action	Illustration
1	Measure the inside diameter of the brick chimney.	
2	<p>Then cut a hole in the mineral wool mat that matches.</p> <p>Note that there must always be a minimum of 20 mm of mat surface at any point around the circumference of the hole.</p>	
3	<p>If a temperature sensor is to be installed with the chimney fan, cut a groove in the mineral wool mat that is big enough for the sensor.</p> <p>Place the mineral wool mat on the chimney.</p>	

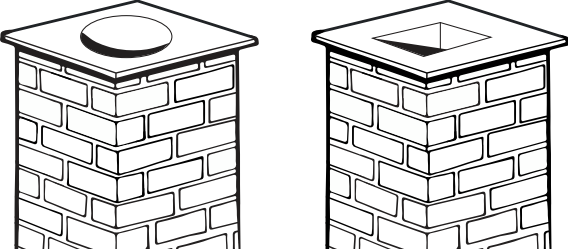
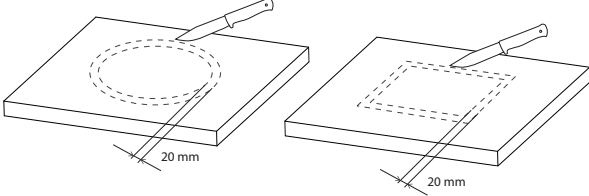
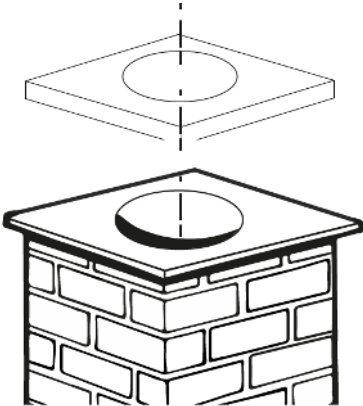
- 4 Place the cover plate on the mineral wool mat.



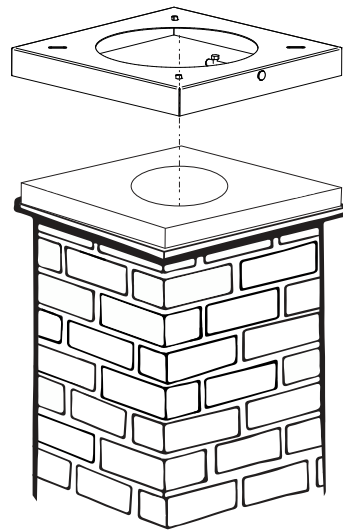
- 5 Follow the rest of the guide "Installation onto a brick chimney", by looking in the RSV/RSVG manual/instruction guide for the specific model.



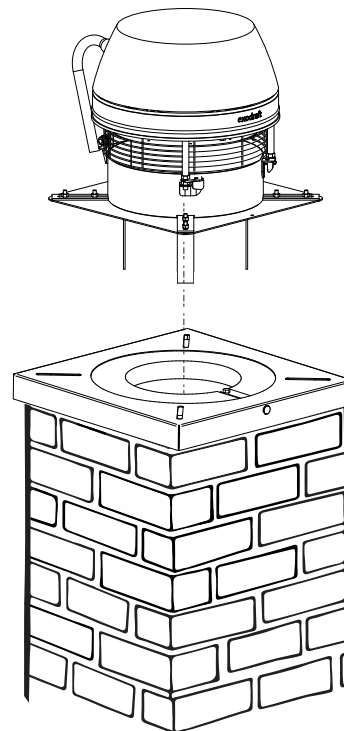
## Installation - RSHT model

Step	Action	Illustration
1	Measure the inside diameter of the brick chimney.	
2	<p>Then cut a hole in the mineral wool mat that matches.</p> <p>Note that there must always be a minimum of 20 mm of mat surface at any point around the circumference of the hole.</p>	
3	<p>If a temperature sensor is to be installed with the chimney fan, cut a groove in the mineral wool mat that is big enough for the sensor.</p> <p>Place the mineral wool mat on the chimney.</p>	

- 4 Place the cover plate on the mineral wool mat.



- 5 Now the chimney fan with the location brackets can be install on the brick chimney.  
Follow the rest of the guide "Installation onto a brick chimney", by looking in the RSHT manual/ instruction guide for the specific model.





**UK Conformity Assessed**

---



**Exodraft a/s  
Industrivej 10  
DK-5550 Langeskov**

---

Hereby declares that the following products:

---

FR1AFD6, FR1AFD6-001, FR2AFD6, FR2AFD6-001, FR3AFD6,  
FR3AFD6-001, FR4AFD6, FR4AFD6-001, FR5AFD6, FR5AFD6-001

---

Were manufactured in conformity with the provisions of the following regulations:

---

**The Supply of Machinery (Safety) Regulations 2008**

**Electrical Equipment (Safety) Regulations 2016**

**Electromagnetic Compatibility Regulations 2016**

---

Langeskov, 01-11-2022  
Managing Director  
*Anders Haugaard*



## Declaration of Conformity

DK: EU-Overensstemmelseserklæring  
 GB: Declaration of Conformity  
 DE: EU-Konformitätserklärung  
 FR: Déclaration de conformité de l'Union Européenne  
 NO: EU-Samsvarserklæring  
 PL: EU Deklaracja zgodności

NL: EU-Conformiteits verklaring  
 SE: EU-Överensstämmedeklaration  
 FI: EU-Vaatimustenmukaisuusvakuutus  
 IS: ESS-Samræmisstaðfesting  
 IT: Dichiarazione di Conformità Unione Europea



**Exodraft a/s**  
**Industrivej 10**  
**DK-5550 Langeskov**

Erklærer på eget ansvar, at følgende produkter:  
 Hereby declares that the following products:  
 Erklärt hierdurch auf eigene Verantwortung, daß folgende Produkte:  
 Déclare, sous sa propre responsabilité, que les produits suivants:  
 Erklærer på eget ansvar at følgende produkter:  
 Niniejszym oświadczam, że następujące produkty:

Veklaart dat onderstaande producten:  
 Deklarerar på eget ansvar, att följande produkter:  
 Vastaa siltä, että seuraava tuote:  
 Staðfesti à eigin àbyrgð, að eftirfarandi vörur:  
 Dichiaro con la presente che i seguenti prodotti:

FR1AFD6, FR1AFD6-001, FR2AFD6, FR2AFD6-001, FR3AFD6,  
 FR3AFD6-001, FR4AFD6, FR4AFD6-001, FR5AFD6, FR5AFD6-001

Som er omfattet af denne erklæring, er i overensstemmelse med følgende standarder:  
 Were manufactured in conformity with the provisions of the following standards:  
 Die von dieser Erklärung umfaßt sind, den folgenden Normen:  
 Auxquels s'applique cette déclaration sont en conformité avec les normes ci-contre:  
 Som er omfattet av denne erklæring, er i samsvar med følgende standarder:  
 Zostały wyprodukowane zgodnie z warunkami określonymi w następujących normach:

Zijn vervaardigd in overeenstemming met de voorschriften uit de hieronder genoemde normen en standaards:  
 Som omfattas av denna deklaration, överensstämmer med följande standarder:  
 Jota tämä selvitys koskee, on seuraavien standardien mukainen:  
 Sem eru meðtalin í staðfestingu Pessari, eru í fullu samræmi við eftirtalda staðla:  
 Sono stati fabbricati in conformità con le norme degli standard seguenti:

### EN 60335-1, EN 60335-2-80, DS/EN ISO 12100: 2011

I.h.t bestemmelser i direktiv:  
 In accordance with  
 Entsprechen gemäß den Bestimmungen der folgenden Richtlinien:  
 Suivant les dispositions prévues aux directives:  
 I.h.t bestemmelser i direktiv:  
 Zgodnie z:

En voldoen aan de volgende richtlijnen:  
 Enligt bestämmelserna i följande direktiv:  
 Seuraavien direktiivien määräysten mukaan:  
 Med tilvisun til ákvarðana eftirlits:  
 In conformità con le direttive:

Maskindirektivet:  
 The Machinery Directive:  
 Richtlinie Maschinen:  
 Directive Machines:  
 Maskindirektivet:  
 Dyrektywę maszynową:

De machinerichtlijn:  
 Maskindirektivet  
 Konedirektiivi:  
 Vælaeftirlitið:  
 Direttiva Macchinari:

### 2006/42/EF-EEC/-EWG/-CEE

Lavspændingsdirektiv:  
 The Low Voltage Directive:  
 Niederspannungsrichtlinie:  
 Directive Basse Tension:  
 Lavspændingsdirektivet:  
 Dyrektywę Niskonapięciową

De laagspanningsrichtlijn:  
 Lågspänningsdirektivet:  
 Pienjännitedirektiivi:  
 Smáspennueftirlitið:  
 Direttiva Basso Voltaggio:

### 2014/35/EC

EMC-direktivet:  
 And the EMC Directive:  
 EMV-Richtlinie:  
 Directive Compatibilité Electromagnétique:  
 EMC-direktivet:  
 Dyrektywę EMC – kompatybilności elektromagnetycznej

En de EMC richtlijn:  
 EMC-direktivet:  
 EMC-direktiivi:  
 EMC-efirlitið:  
 Direttiva Compatibilità Elettromagnetica:

### 2014/30/EC

**Langeskov, 01-11-2022**  
 Adm. direktør  
 Managing Director  
 Anders Haugaard

Algemeen directeur  
 Geschäftsführender Direktor  
 Président Directeur Général  
 Verkställande direktör  
 Toimitusjohtaja  
 Framkvemdastjóri  
 Direttore Generale



## **DK: Exodraft a/s**

Industrivej 10  
DK-5550 Langeskov  
Tel: +45 7010 2234  
Fax: +45 7010 2235  
info@exodraft.dk  
www.exodraft.dk

## **SE: Exodraft a/s**

Kalendevägen 2  
SE-302 39 Halmstad  
Tel: +46 (0)8-5000 1520  
info@exodraft.se  
www.exodraft.se

## **NO: Exodraft a/s**

Storgaten 88  
NO-3060 Svelvik  
Tel: +47 3329 7062  
info@exodraft.no  
www.exodraft.no

## **UK: Exodraft Ltd.**

24 Janes Meadow, Tarleton  
GB-Preston PR4 6ND  
Tel: +44 (0)1494 465 166  
Fax: +44 (0)1494 465 163  
info@exodraft.co.uk  
www.exodraft.co.uk

## **DE: Exodraft a/s**

Niederlassung Deutschland  
Soonwaldstr. 6  
DE-55569 Monzingen  
Tel: +49 (0)6751 855 599-0  
Fax: +49 (0)6751 855 599-9  
info@exodraft.de  
www.exodraft.de

## **FR: Exodraft sas**

78, rue Paul Jozon  
FR-77300 Fontainebleau  
Tel: +33 (0)6 3852 3860  
info@exodraft.fr  
www.exodraft.fr

Your energy. Optimized.

**exodraft**